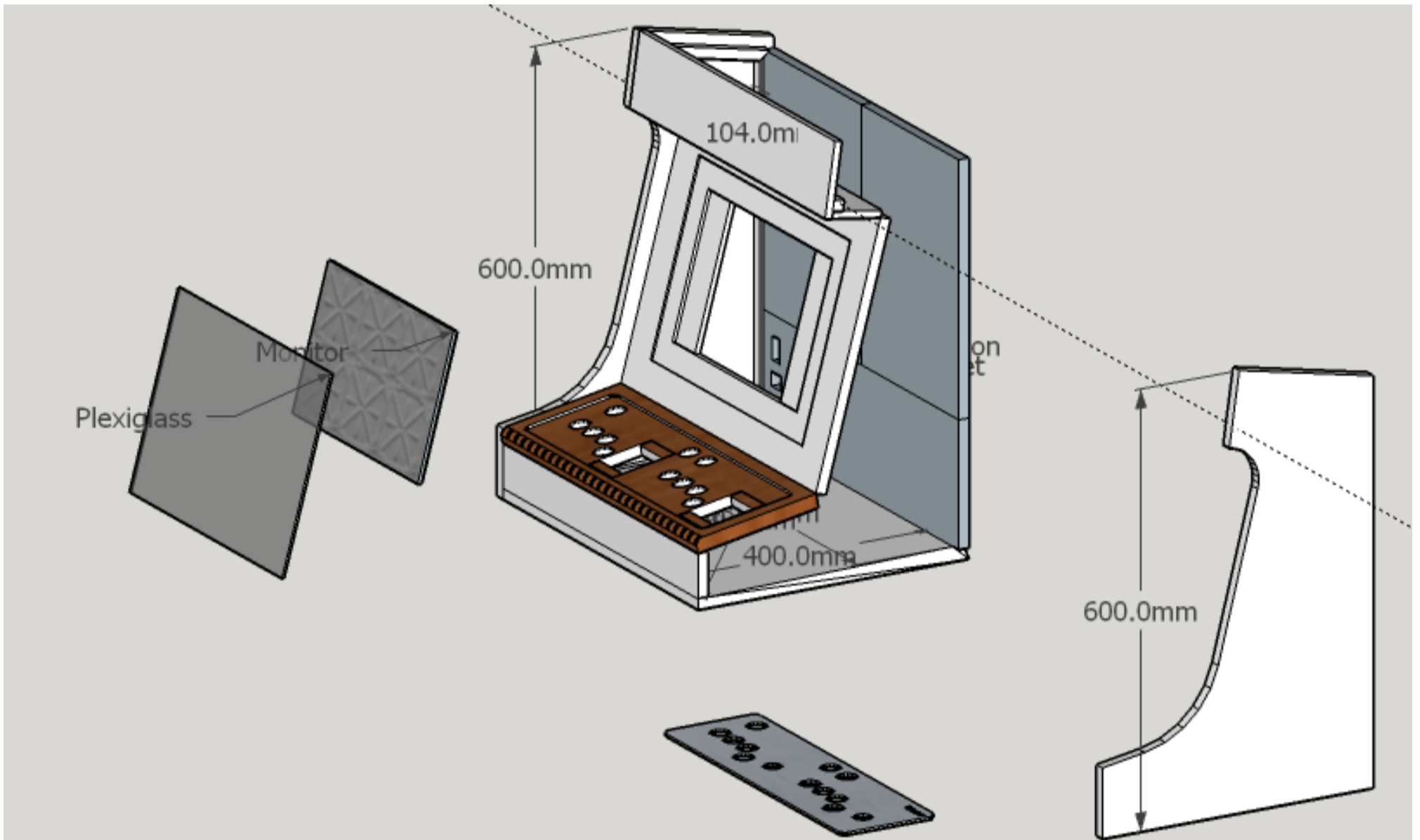


# BEFORE

## Arcade machine, designed in Sketchup



### Materials used:

Raspberry Pi  
Wood  
Aluminium  
Plexiglass

### Scan code for details:

